



www.imoticondrives.co.uk

Document number	Imoticon-ID700-013
Revision	0.0
Author	Gareth Lloyd
Product	Imoticon ID700

Title	Imoticon ID700 Selecting between two analogue inputs
--------------	--

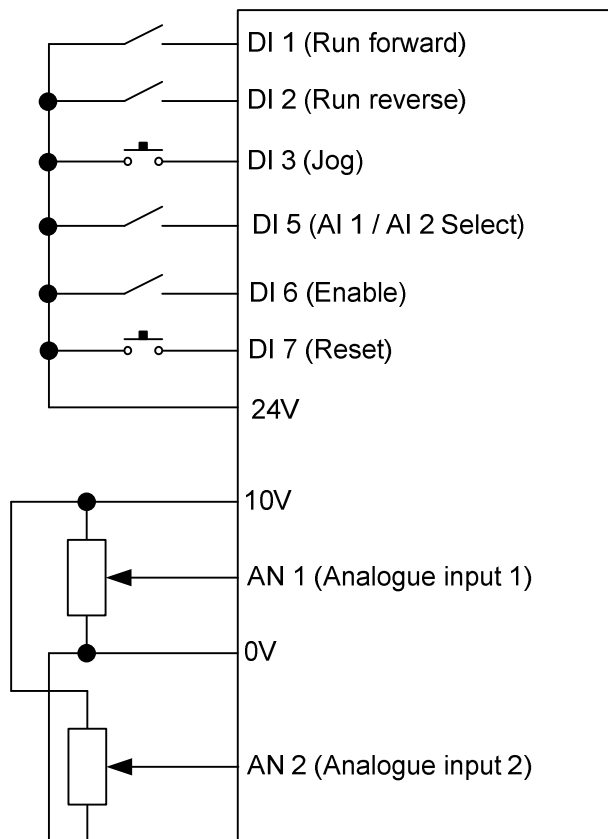
Summary	This document gives information on how to set up the Imoticon ID700 for selecting between two analogue inputs
----------------	---

NOTE: Please read this document in conjunction with the Imoticon ID700 Easy Start Guide and Imoticon ID700 Advanced User Manual.

Parameter settings (from default)

Parameter	Setting	Description
P00.04	1	Control mode to terminal control
P00.23	1	Allow advanced parameter access
P09.01	1	Digital input function level control
P09.06	16.15	DI 5 destination to Binary sum one's input
P16.18	3	Binary sum offset
P16.19	1.01	Binary sum destination to reference selector

Terminal diagram (from default with above parameter changes)



Operation

When the switch on DI 5 is open, the speed reference is controlled by the potentiometer connected to AN 1 (analogue input 1)

When the switch on DI 5 is closed, the speed reference is controlled by the potentiometer connected to AN 2 (analogue input 2)

Note: The type of input connected to AN 1 can be changed by parameter P00.11.

- 0 : 0mA to 20mA
- 1 : 20mA to 0mA
- 2 : 4mA to 20mA (with trip F013 on current loss)
- 3 : 20mA to 4mA (with trip F013 on current loss)
- 4 : 4mA to 20mA
- 5 : 20mA to 4mA
- 6 : 0V to 10V

Analogue input 2 is always a voltage input.