



[www.imoticondrives.co.uk](http://www.imoticondrives.co.uk)

<b>Document number</b>	Imoticon-ID700-017
<b>Revision</b>	0.0
<b>Author</b>	Gareth Lloyd
<b>Product</b>	Imoticon ID700
<b>Title</b>	Imoticon ID700 Basic limit switch functionality set up using the ID700 on-board relays
<b>Summary</b>	This document gives information on settings up the Imoticon ID700 for basic limit switch control

**NOTE:** Please read this document in conjunction with the Imoticon ID700 Easy Start Guide and ID700 Advanced User Guide.

The following set up allows basic limit switch functionality to be set up in the ID700.

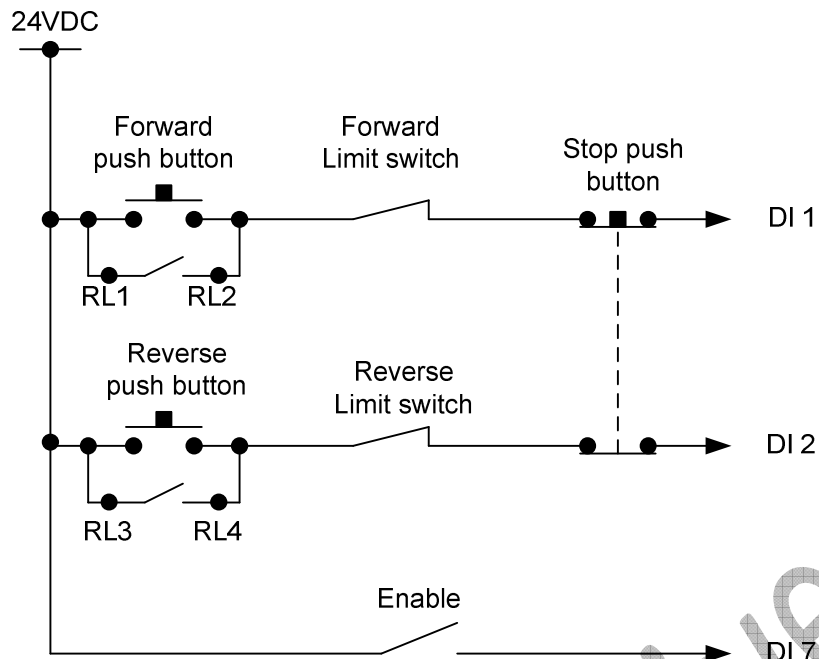
**NOTE: Please make sure this set up is suitable for your application before implementation.**

Limit switches can be used to stop a motor when it has reached the end of its travel. When the limit switch has been activated, the motor can be driven in the opposite direction of travel.

The set up uses the drives on-board relays to latch the run forward and run reverse signals.

If drive healthy and drive running signals are required, please use the drives digital outputs.

## Connection diagram



With the following set up, the speed reference is on analogue input 1.

### Parameter set up from default

Parameter	Setting	Description
P00.04	1	Terminal control
P00.05	3	Analogue input 1 control
P00.23	1	Advanced parameter access
P09.10	12	Relay 1 function to User Control
P09.11	12	Relay 2 function control to User Control
P16.01	9.40	Programmable logic block 1 source 1
P16.04	1	Programmable logic block 1 source 2 invert
P16.07	9.19	Programmable logic block 1 output to relay 1 invert
P16.08	9.41	Programmable logic block 2 source 1
P16.11	1	Programmable logic block 2 source 2 invert
P16.14	9.20	Programmable logic block 2 output to relay 2 invert

## Operation

When the FORWARD button is pressed, the motor will run in the forward direction of rotation. If the STOP button is pressed, the motor will stop.

When the REVERSE button is pressed, the motor will run in the reverse direction of rotation. If the STOP button is pressed, the motor will stop.

If running forward and the forward limit switch opens, the motor will stop. The forward limit switch must remain open until the run reverse button is pressed to drive the system off the forward limit switch (in the reverse direction of travel).

If running reverse and the reverse limit switch operates, the motor will stop. The reverse limit switch must remain open until the run forward button is pressed to drive the system off the reverse limit switch (in the forward direction of travel).

**NOTE:** If the run forward push button is pressed so the drive is running in the forward direction of rotation and the run reverse push button is pressed (or vice-versa), the drive will ramp to a stop. This is because both the run forward and run reverse inputs are active.

If pressing the run forward or run reverse push button doesn't run the motor, press the STOP push button to reset the drives terminals.

Imoticon Drives Ltd