



www.imoticondrives.co.uk

| | |
|------------------------|-----------------------------------------------------------------------------------------------------------|
| Document number | Imoticon-ID700-027 |
| Revision | 0.0 |
| Author | Gareth Lloyd |
| Product | Imoticon ID700 |
| Title | |
| | Imoticon ID700 Frequency Input |
| Summary | |
| | This document gives information on how to set up the Imoticon ID700 for a frequency input speed reference |

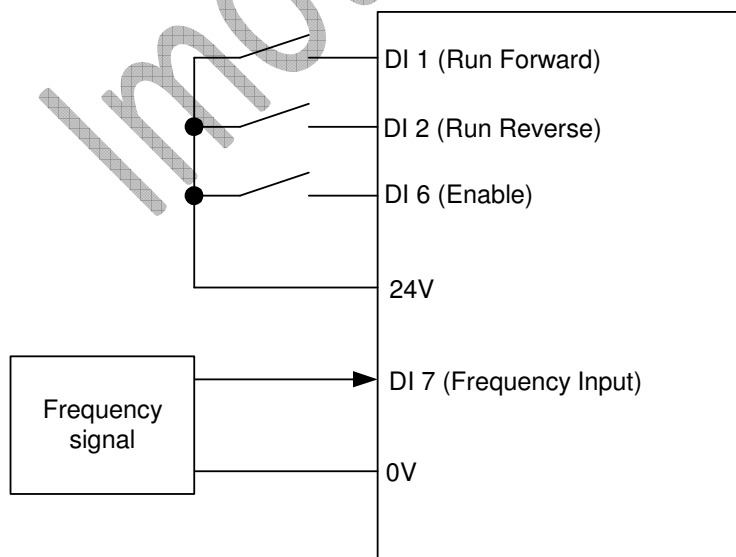
NOTE: Please read this document in conjunction with the Imoticon ID700 Easy Start Guide and Imoticon ID700 Advanced User Manual.

Overview

In most applications, to control the speed of the motor, the Imoticon ID700 receives its speed reference from a potentiometer or a 4-20mA input from an external controller. The ID700 can be set up to receive a frequency input to control motor speed.

Digital input 7 is used as the frequency input

Example connection diagram



Parameter settings

| Par | Function | Example Setting | Explanation |
|--------|------------------------------------------|-----------------|---------------------------------------------------|
| P00.01 | Motor rated voltage | - | Enter the values from the motor nameplate |
| P00.02 | Motor rated current | - | |
| P00.03 | Motor rated frequency | - | |
| P00.04 | Control mode | 1 | Terminal control |
| P00.05 | Reference source selector | 6 | DI 7 Frequency input |
| P00.08 | Acceleration ramp time | 10s | System dependant |
| P00.09 | Deceleration ramp time | 20s | System dependant |
| P00.23 | Extended parameter access | 1 | Allows extended parameter access |
| P09.24 | Digital input 7 mode | 2 | Frequency input |
| P09.27 | Digital input 7 frequency of input pulse | 10.0kHz | Defines the maximum frequency of the input signal |

Other parameters associated with the high frequency input (See Imoticon Advanced User Manual for details):

P09.28 – Digital input 7 Centre of frequency pulse

P09.38 – Digital input 7 level of input frequency