



[www.motorcontrolwarehouse.co.uk](http://www.motorcontrolwarehouse.co.uk)

<b>Document number</b>	MCW-SS-001
<b>Revision</b>	0.0
<b>Author</b>	Gareth Lloyd
<b>Product</b>	Fairford PFE Softstarts

<b>Title</b>	Fairford PFE Basic connection diagrams
--------------	--

<b>Summary</b>	This document gives various basic connection diagrams for the PFE softstart.
----------------	--

**NOTE: Please read in conjunction with the Fairford PFE User Guide documentation.**

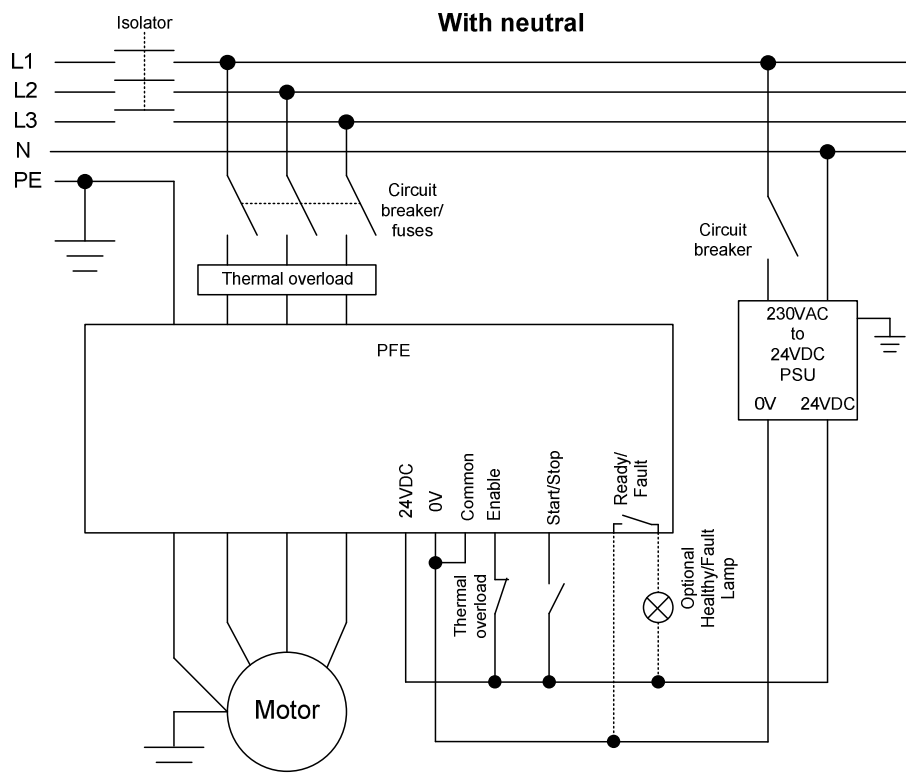
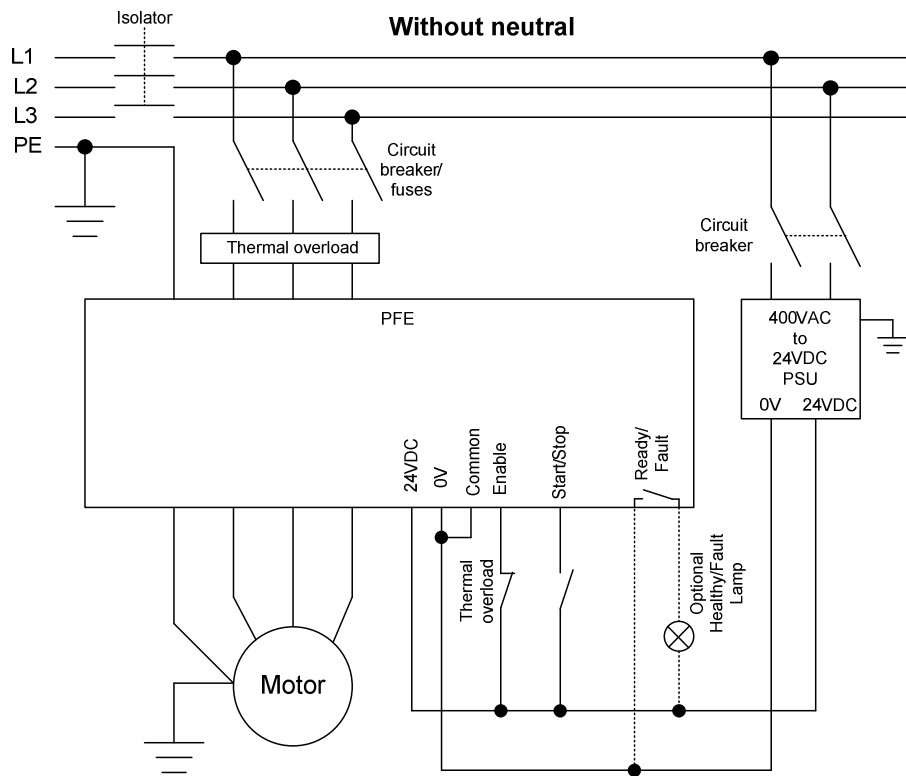
This document gives basic connection diagrams for the Fairford PFE soft starters.

A 24VDC power supply must be used to supply the PFE control electronics. If a supply neutral is available, a 230VAC input to 24VDC power supply can be used. If a neutral is not available, a 400VAC input to 24VDC power supply must be used.

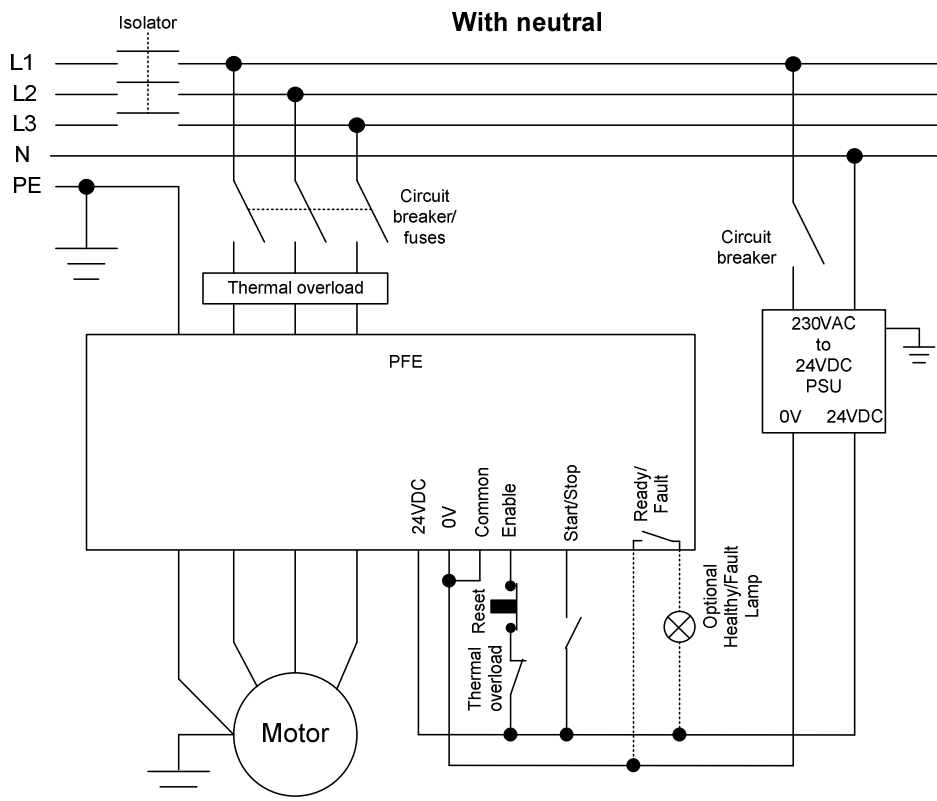
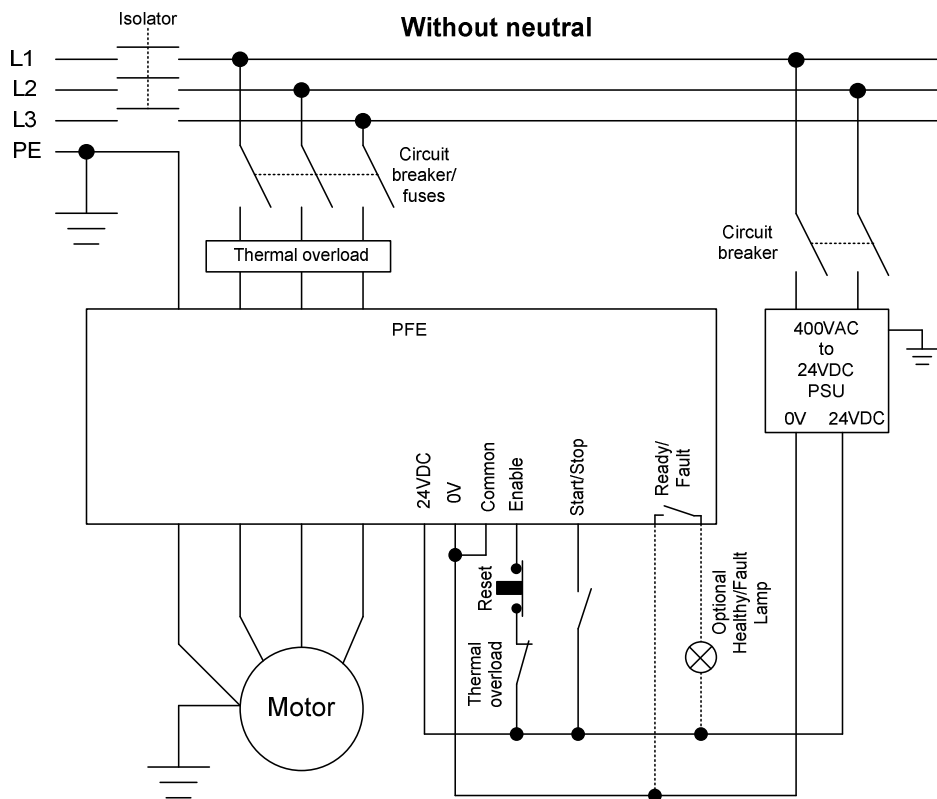
240VAC to 24VDC Power supply – DRA18-24

400VAC to 24VDC Power supply – WRA120-24

## Basic PFE connections with Start/Stop switch



## Basic PFE connections with Start/Stop switch and reset pushbutton



## Basic PFE connections Pushbutton Start/Stop and reset pushbutton

