



www.motorcontrolwarehouse.co.uk

Document number	MCW-SS-002
Revision	0.0
Author	Gareth Lloyd
Product	Fairford DFE Softstarts

Title	Fairford DFE Basic connection diagrams
--------------	--

Summary	This document gives various basic connection diagrams for the DFE softstart.
----------------	--

NOTE: Please read in conjunction with the Fairford DFE User Guide documentation.

This document gives basic connection diagrams for the Fairford DFE soft starters.

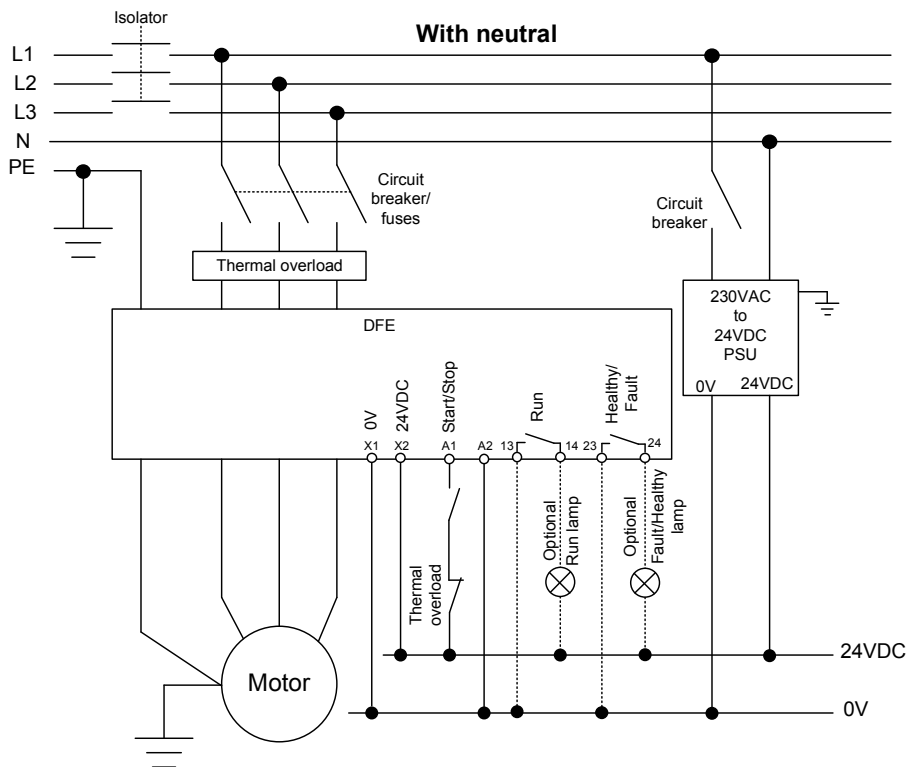
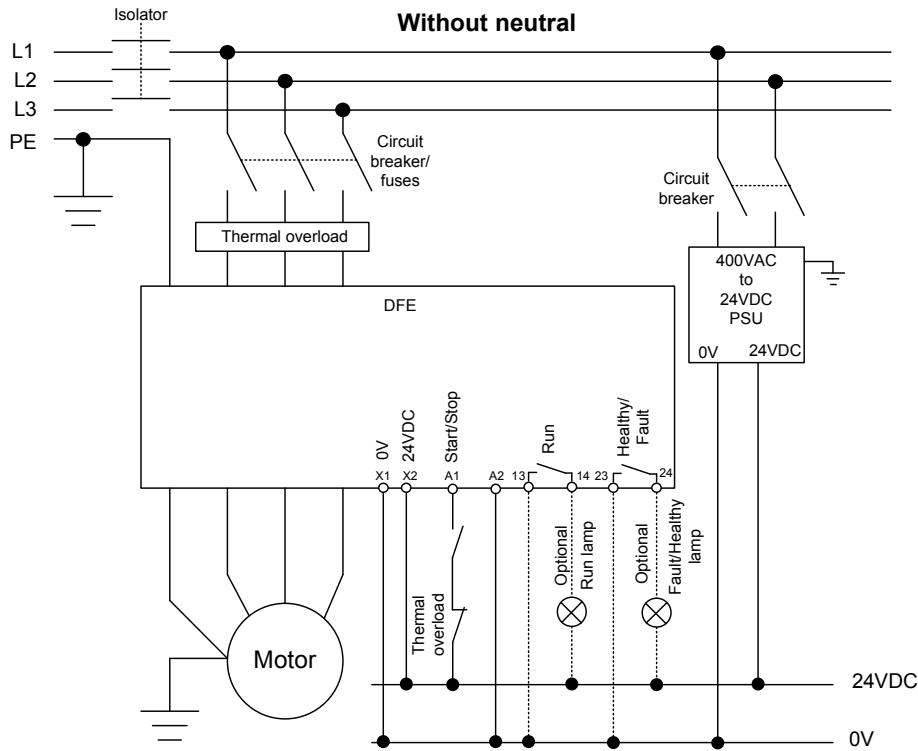
A 24VDC power supply must be used to supply the DFE control electronics. If a supply neutral is available, a 230VAC input to 24VDC power supply can be used. If a neutral is not available, a 400VAC input to 24VDC power supply must be used.

240VAC to 24VDC Power supply – DRA18-24 (750mA output)

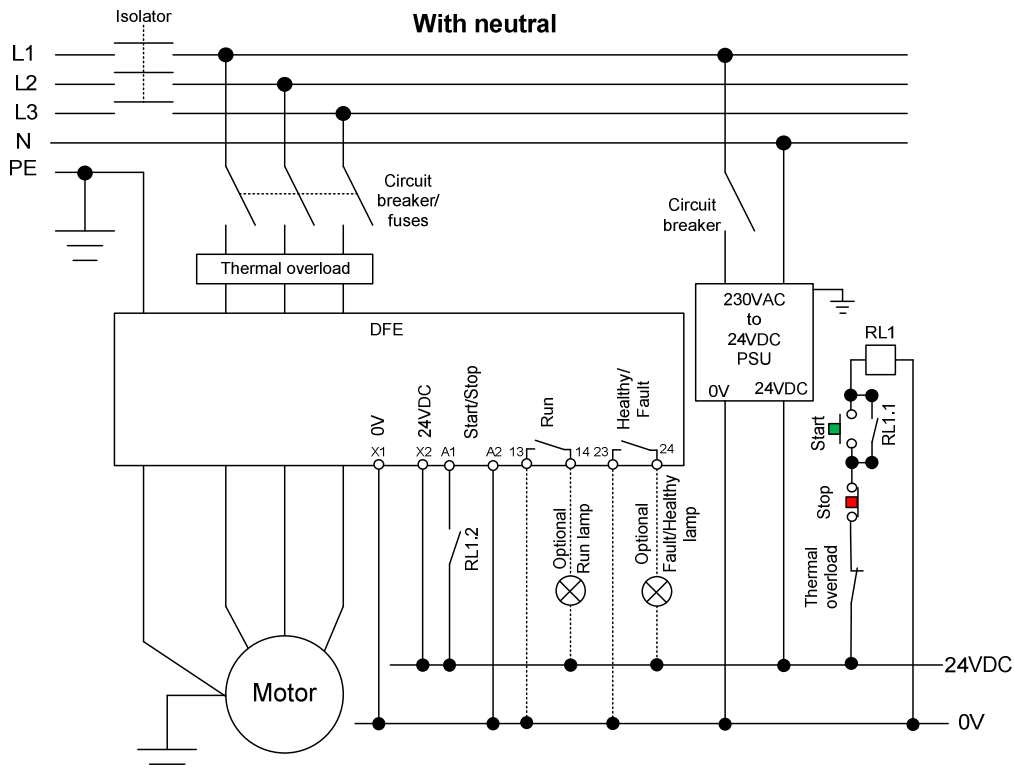
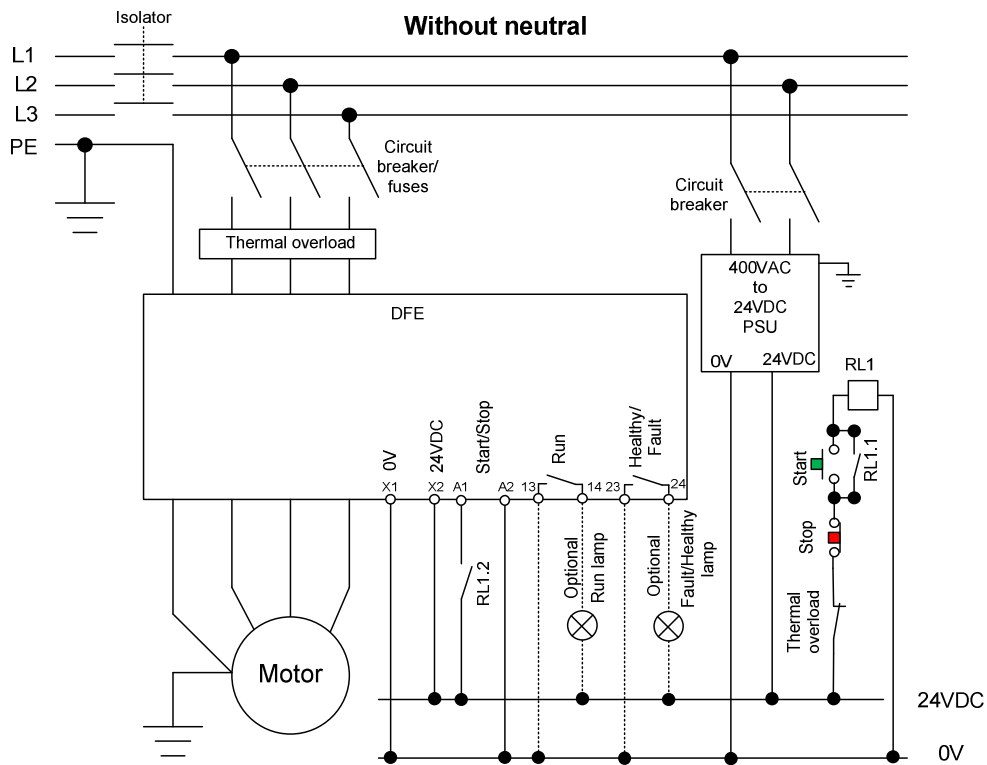
240VAC to 24VDC Power supply – DRAN60-24 (2.5A output)

400VAC to 24VDC Power supply – WRA120-24 (5A output)

Basic DFE connections with Start/Stop switch



Basic DFE connections Pushbutton Start/Stop



Basic DFE connections Pushbutton Start/Stop with mains contactor control

